

CBAS17

**SURFACE MOUNT
LOW VOLTAGE
SILICON STABISTOR**



SOT-23 CASE

Central
Semiconductor Corp.

www.centrasemi.com

DESCRIPTION:

The CENTRAL SEMICONDUCTOR CBAS17 type is a planar epitaxial silicon switching diode, designed for low voltage stabilizing applications.

MARKING CODE: A91

MAXIMUM RATINGS: ($T_A=25^\circ\text{C}$)

Peak Repetitive Forward Current
Power Dissipation
Operating and Storage Junction Temperature
Thermal Resistance

SYMBOL

I_{FRM} 250
 P_D 350
 T_J, T_{stg} -65 to +150
 Θ_{JA} 357

UNITS

mA
mW
 $^\circ\text{C}$
 $^\circ\text{C/W}$

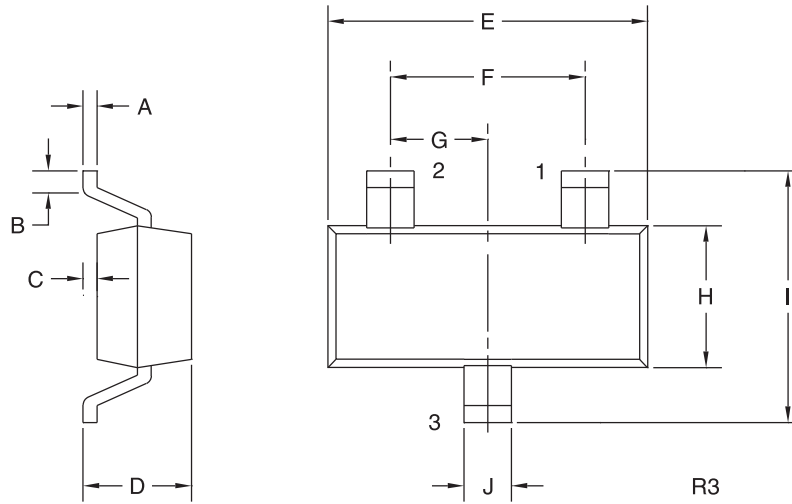
ELECTRICAL CHARACTERISTICS: ($T_A=25^\circ\text{C}$ unless otherwise noted)

SYMBOL	TEST CONDITIONS	MIN	TYP	MAX	UNITS
I_R	$V_R=4.0\text{V}$			5.0	μA
V_F	$I_F=0.1\text{mA}$	580	665	680	mV
V_F	$I_F=1.0\text{mA}$	665	745	760	mV
V_F	$I_F=5.0\text{mA}$	725	805	820	mV
V_F	$I_F=10\text{mA}$	750	825	840	mV
V_F	$I_F=100\text{mA}$	870	920	960	mV
C_T	$V_R=0, f=1.0\text{MHz}$			140	pF

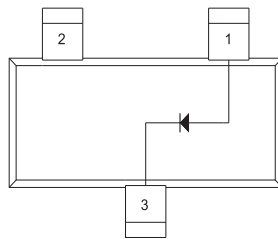
CBAS17
SURFACE MOUNT
LOW VOLTAGE
SILICON STABISTOR



SOT-23 CASE - MECHANICAL OUTLINE



PIN CONFIGURATION



- LEAD CODE:**
1) ANODE
2) NO CONNECTION
3) CATHODE

MARKING CODE: A91

SYMBOL	INCHES		MILLIMETERS	
	MIN	MAX	MIN	MAX
A	0.003	0.007	0.08	0.18
B	0.006	-	0.15	-
C	-	0.005	-	0.13
D	0.035	0.043	0.89	1.09
E	0.110	0.120	2.80	3.05
F	0.075		1.90	
G	0.037		0.95	
H	0.047	0.055	1.19	1.40
I	0.083	0.098	2.10	2.49
J	0.014	0.020	0.35	0.50

SOT-23 (REV: R3)

R6 (20-November 2009)

OUTSTANDING SUPPORT AND SUPERIOR SERVICES



PRODUCT SUPPORT

Central's operations team provides the highest level of support to insure product is delivered on-time.

- Supply management (Customer portals)
- Inventory bonding
- Consolidated shipping options
- Custom bar coding for shipments
- Custom product packing

DESIGNER SUPPORT/SERVICES

Central's applications engineering team is ready to discuss your design challenges. Just ask.

- Free quick ship samples (2nd day air)
- Online technical data and parametric search
- SPICE models
- Custom electrical curves
- Environmental regulation compliance
- Customer specific screening
- Up-screening capabilities
- Special wafer diffusions
- PbSn plating options
- Package details
- Application notes
- Application and design sample kits
- Custom product and package development

REQUESTING PRODUCT PLATING

1. If requesting Tin/Lead plated devices, add the suffix "TIN/LEAD" to the part number when ordering (example: 2N2222A TIN/LEAD).
2. If requesting Lead (Pb) Free plated devices, add the suffix "PBFREE" to the part number when ordering (example: 2N2222A PBFREE).

CONTACT US

Corporate Headquarters & Customer Support Team

Central Semiconductor Corp.
145 Adams Avenue
Hauppauge, NY 11788 USA
Main Tel: (631) 435-1110
Main Fax: (631) 435-1824
Support Team Fax: (631) 435-3388
www.centrasemi.com

Worldwide Field Representatives:
www.centrasemi.com/wwreps

Worldwide Distributors:
www.centrasemi.com/wwdistributors

For the latest version of Central Semiconductor's **LIMITATIONS AND DAMAGES DISCLAIMER**, which is part of Central's Standard Terms and Conditions of sale, visit: www.centrasemi.com/terms