

CDCLD025 CDCLD100  
 CDCLD040 CDCLD120  
 CDCLD080

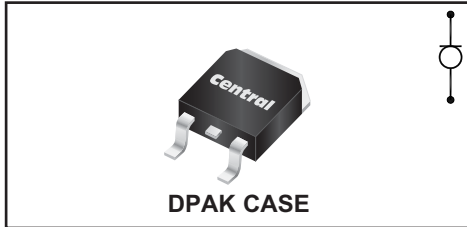
**SURFACE MOUNT SILICON  
 CURRENT LIMITING DIODES**



www.centrasemi.com

**DESCRIPTION:**

The CENTRAL SEMICONDUCTOR CDCLD025 series devices are Current Limiting Diodes (CLDs) specifically designed for applications requiring a constant current over a wide voltage range. The series is designed with a unique process that holds regulator current constant over temperature excursions (zero temperature coefficient). The devices are available in the thermally efficient DPAK package outline.



**MARKING: FULL PART NUMBER**

**FEATURES:**

- Zero temperature coefficient
- High regulator currents available
- Industry standard thermally efficient DPAK

**MAXIMUM RATINGS:** ( $T_A=25^\circ\text{C}$  unless otherwise noted)

	SYMBOL	CDCLD025 CDCLD040	CDCLD080 CDCLD100	CDCLD120	UNITS
Peak Operating Voltage	$P_{OV}$	50	50	45	V
Peak Operating Voltage ( $T_C=122^\circ\text{C}$ )	$P_{OV}$			50	V
Power Dissipation (Note 1)	$P_D$		6.25		W
Power Dissipation ( $T_C=35^\circ\text{C}$ ) (Note 1)	$P_D$		28.75		W
Thermal Resistance	$\theta_{JC}$		4.0		$^\circ\text{C/W}$
Operating and Storage Junction Temperature	$T_J, T_{stg}$		-55 to +150		$^\circ\text{C}$

Note 1: Mounted on 900mm<sup>2</sup> 4-layer PCB with 2-ounce copper traces.

**ELECTRICAL CHARACTERISTICS:** ( $T_A=25^\circ\text{C}$ )

Type	Regulator Current ( $t_p=4.5\text{ms}$ )			Maximum Limiting Voltage ( $t_p=5.0\text{ms}$ )
	$I_p @ V_T=5.0\text{V}$			$V_L @ 0.8 \times I_p \text{ MIN}$
	MIN mA	NOM mA	MAX mA	V
CDCLD025	22.5	25	27.5	1.5
CDCLD040	36	40	44	1.5
CDCLD080	72	80	88	1.8
CDCLD100	85	100	115	2.0
CDCLD120	102	120	138	2.0

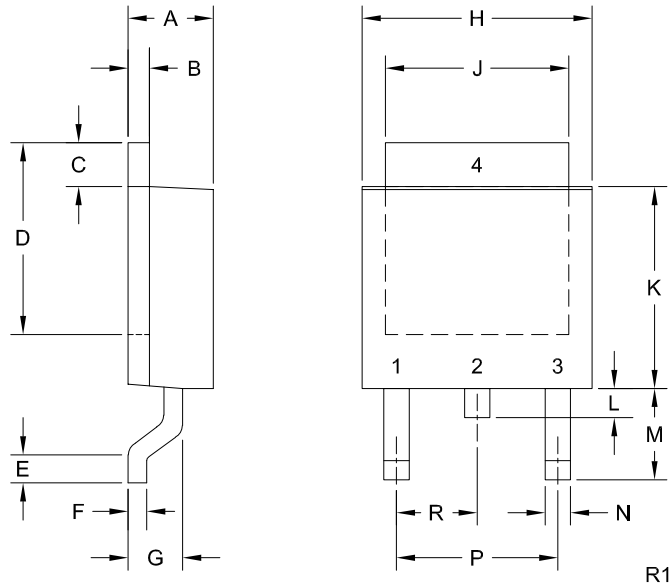
R5 (1-April 2021)

CDCLD025 CDCLD100  
 CDCLD040 CDCLD120  
 CDCLD080



**SURFACE MOUNT SILICON  
 CURRENT LIMITING DIODES**

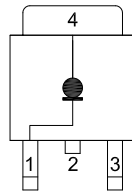
**DPAK CASE - MECHANICAL OUTLINE**



**LEAD CODE:**

- 1) Cathode
  - 2) Anode
  - 3) No Connection
  - 4) Anode
- Pin 2 is common to the tab (4)

**MARKING: FULL PART NUMBER**



SYMBOL	INCHES		MILLIMETERS	
	MIN	MAX	MIN	MAX
A	0.083	0.108	2.10	2.75
B	0.016	0.032	0.40	0.81
C	0.035	0.063	0.89	1.60
D	0.203	0.228	5.15	5.79
E	0.020	-	0.51	-
F	0.016	0.024	0.40	0.60
G	0.051	0.071	1.30	1.80
H	0.248	0.268	6.30	6.81
J	0.197	0.217	5.00	5.50
K	0.209	0.245	5.30	6.22
L	0.025	0.040	0.64	1.02
M	0.090	0.115	2.30	2.91
N	0.012	0.045	0.30	1.14
P	0.180		4.60	
R	0.090		2.30	

DPAK (REV: R1)

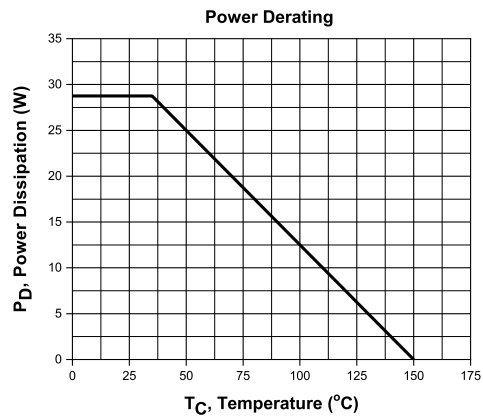
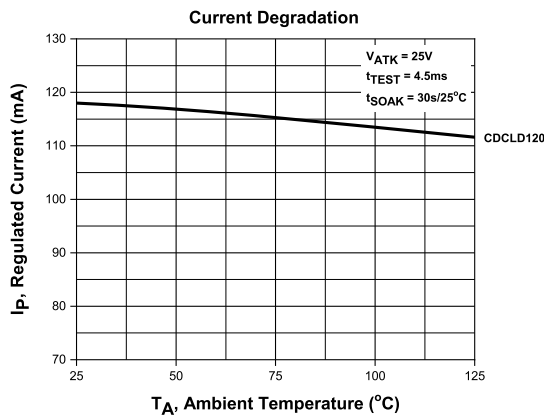
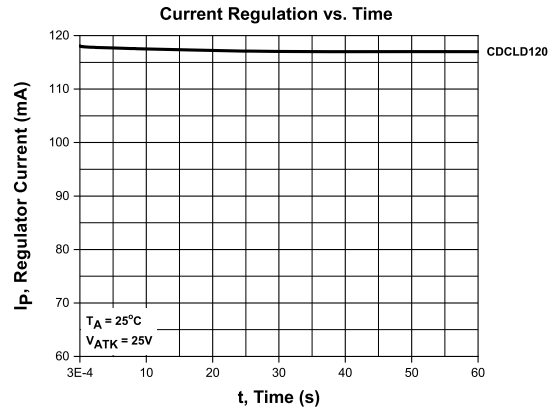
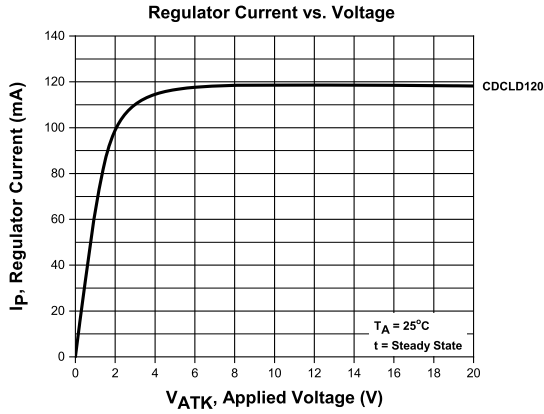
R5 (1-April 2021)

CDCLD025 CDCLD100  
 CDCLD040 CDCLD120  
 CDCLD080



**SURFACE MOUNT SILICON  
 CURRENT LIMITING DIODES**

**TYPICAL ELECTRICAL CHARACTERISTICS**



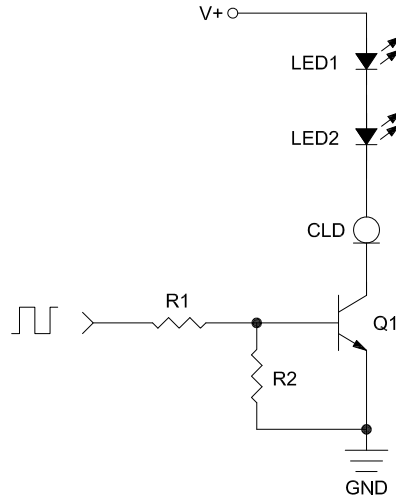
R5 (1-April 2021)

CDCLD025 CDCLD100  
CDCLD040 CDCLD120  
CDCLD080

**SURFACE MOUNT SILICON  
CURRENT LIMITING DIODES**



### TYPICAL APPLICATIONS



**Figure 1.** CLDs can be used to limit the current flowing through LED strings. Their dynamic performance make them an excellent replacement for current limiting resistors, as they allow for continuous current regulation regardless of input voltage. LED strings like this are commonly used in dimming lighting systems. By using a PWM input to control the transistor, the LED luminosity can be controlled by extending or decreasing the pulse width, allowing for control over the brightness of the LED.

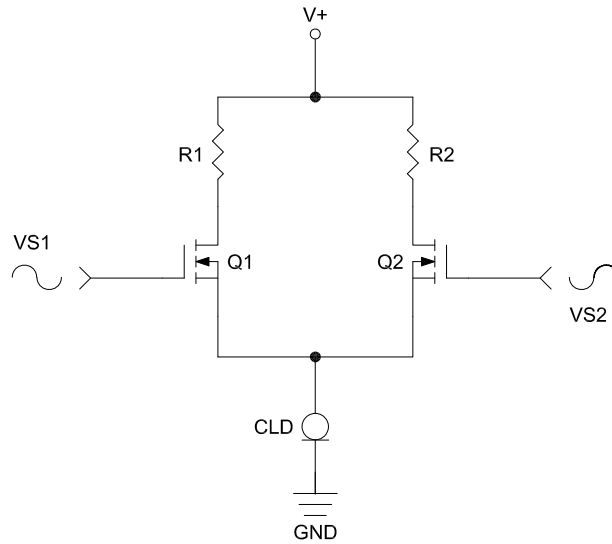
R5 (1-April 2021)

CDCLD025 CDCLD100  
CDCLD040 CDCLD120  
CDCLD080

**SURFACE MOUNT SILICON  
CURRENT LIMITING DIODES**



### TYPICAL APPLICATIONS



**Figure 2.** When designing differential amplifiers, it is essential to use a high impedance tail resistor to control both differential and common mode function. For differential signals, the tail resistor effectively splits the current amongst the transistors. This ensures proportional current increase and decrease between the transistors. The high impedance drives down the common mode gain and increases the common mode rejection ratio, thus yielding a more ideal amplifier. Ideally, an infinite impedance current source would be used in place of the tail resistor. While the ideal current source doesn't exist, CLDs serve as an excellent replacement for the tail resistor and also perform much like an active current source, both regulating the circuit to a constant current and presenting a large tail impedance. This yields a larger CMRR than using a high impedance tail resistor would.

R5 (1-April 2021)

## OUTSTANDING SUPPORT AND SUPERIOR SERVICES



---

### PRODUCT SUPPORT

Central's operations team provides the highest level of support to insure product is delivered on-time.

- Supply management (Customer portals)
- Inventory bonding
- Consolidated shipping options
- Custom bar coding for shipments
- Custom product packing

---

### DESIGNER SUPPORT/SERVICES

Central's applications engineering team is ready to discuss your design challenges. Just ask.

- Free quick ship samples (2<sup>nd</sup> day air)
- Online technical data and parametric search
- SPICE models
- Custom electrical curves
- Environmental regulation compliance
- Customer specific screening
- Up-screening capabilities
- Special wafer diffusions
- PbSn plating options
- Package details
- Application notes
- Application and design sample kits
- Custom product and package development

---

### REQUESTING PRODUCT PLATING

1. If requesting Tin/Lead plated devices, add the suffix " TIN/LEAD" to the part number when ordering (example: 2N2222A TIN/LEAD).
2. If requesting Lead (Pb) Free plated devices, add the suffix " PBFREE" to the part number when ordering (example: 2N2222A PBFREE).

---

### CONTACT US

#### Corporate Headquarters & Customer Support Team

Central Semiconductor Corp.  
145 Adams Avenue  
Hauppauge, NY 11788 USA  
Main Tel: (631) 435-1110  
Main Fax: (631) 435-1824  
Support Team Fax: (631) 435-3388  
[www.centrasemi.com](http://www.centrasemi.com)

**Worldwide Field Representatives:**  
[www.centrasemi.com/wwreps](http://www.centrasemi.com/wwreps)

**Worldwide Distributors:**  
[www.centrasemi.com/wwdistributors](http://www.centrasemi.com/wwdistributors)

---

For the latest version of Central Semiconductor's **LIMITATIONS AND DAMAGES DISCLAIMER**, which is part of Central's Standard Terms and Conditions of sale, visit: [www.centrasemi.com/terms](http://www.centrasemi.com/terms)