

CEN-U05 CEN-U06 CEN-U07 NPN
 CEN-U55 CEN-U56 CEN-U57 PNP

**COMPLEMENTARY SILICON
 POWER TRANSISTORS**



TO-202 CASE



www.centrasemi.com

DESCRIPTION:

The CENTRAL SEMICONDUCTOR CEN-U05/U55 series types are complementary silicon power transistors designed for general purpose audio amplifier applications. These devices are electrically equivalent to National Semiconductor's NSDU05, NSDU06, NSDU07, NSDU55, NSDU56, and NSDU57.

MARKING: FULL PART NUMBER

APPLICATIONS:

- Designed for general purpose high voltage amplifiers and drivers

FEATURES:

- High Collector-Emitter breakdown voltage
- High 10W power dissipation

MAXIMUM RATINGS: ($T_C=25^\circ\text{C}$)

Collector-Base Voltage
 Collector-Emitter Voltage
 Emitter-Base Voltage
 Continuous Collector Current
 Power Dissipation
 Power Dissipation ($T_A=25^\circ\text{C}$)
 Operating and Storage Junction Temperature
 Thermal Resistance
 Thermal Resistance

SYMBOL	CEN-U05	CEN-U06	CEN-U07	UNITS
	CEN-U55	CEN-U56	CEN-U57	
V_{CB0}	60	80	100	V
V_{CEO}	60	80	100	V
V_{EBO}		4.0		V
I_C		2.0		A
P_D		10		W
P_D		1.75		W
T_J, T_{stg}		-65 to +150		$^\circ\text{C}$
θ_{JA}		71.4		$^\circ\text{C/W}$
θ_{JC}		12.5		$^\circ\text{C/W}$

ELECTRICAL CHARACTERISTICS: ($T_C=25^\circ\text{C}$ unless otherwise noted)

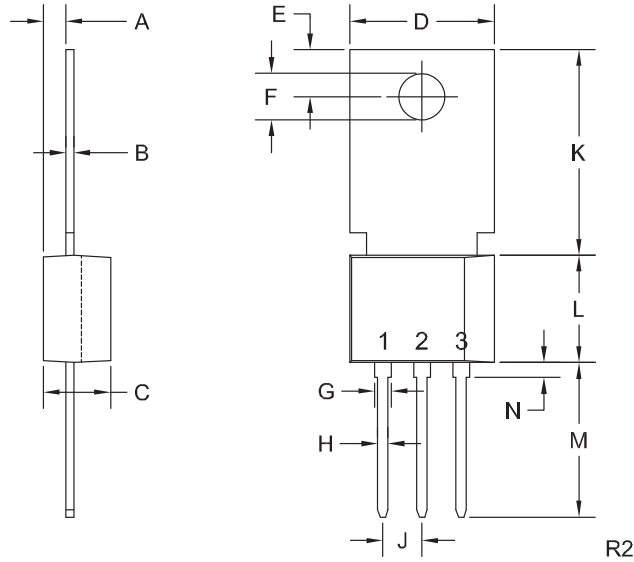
SYMBOL	TEST CONDITIONS	MIN	MAX	UNITS
I_{CBO}	$V_{CB}=\text{Rated } V_{CB0}$		0.1	μA
I_{EBO}	$V_{EB}=4.0\text{V}$		100	μA
BV_{CEO}	$I_C=1.0\text{mA}$ (CEN-U05, CEN-U55)	60		V
BV_{CEO}	$I_C=1.0\text{mA}$ (CEN-U06, CEN-U56)	80		V
BV_{CEO}	$I_C=1.0\text{mA}$ (CEN-U07, CEN-U57)	100		V
$V_{CE(SAT)}$	$I_C=250\text{mA}, I_B=10\text{mA}$		0.5	V
$V_{CE(SAT)}$	$I_C=250\text{mA}, I_B=25\text{mA}$		0.35	V
$V_{BE(ON)}$	$V_{CE}=1.0\text{V}, I_C=250\text{mA}$		1.2	V
h_{FE}	$V_{CE}=1.0\text{V}, I_C=50\text{mA}$	80		
h_{FE}	$V_{CE}=1.0\text{V}, I_C=250\text{mA}$	50		
h_{FE}	$V_{CE}=1.0\text{V}, I_C=500\text{mA}$	20		
f_T	$V_{CE}=5.0\text{V}, I_C=200\text{mA}, f=100\text{MHz}$	50		MHz
C_{ob}	$V_{CB}=10\text{V}, I_E=0, f=1.0\text{MHz}$		30	pF

CEN-U05 CEN-U06 CEN-U07 NPN
 CEN-U55 CEN-U56 CEN-U57 PNP



**COMPLEMENTARY SILICON
 POWER TRANSISTORS**

TO-202 CASE - MECHANICAL OUTLINE



LEAD CODE:

- 1) Emitter
 - 2) Base
 - 3) Collector
- Tab is common to pin 3

MARKING:

FULL PART NUMBER

SYMBOL	INCHES		MILLIMETERS	
	MIN	MAX	MIN	MAX
A	0.055	0.071	1.40	1.80
B	0.016	0.024	0.40	0.60
C	0.173	0.181	4.40	4.60
D	0.374	0.413	9.50	10.5
E	0.118	0.154	3.00	3.90
F (DIA)	0.124	0.150	3.15	3.80
G	0.035	0.055	0.90	1.40
H	0.023	0.031	0.59	0.80
J	0.094	0.106	2.39	2.69
K	0.459	0.559	11.66	14.21
L	0.280	0.346	7.12	8.80
M	0.406	0.531	10.3	13.5
N	0.024	0.059	0.60	1.50

TO-202 (REV: R2)

R2 (20-January 2012)

OUTSTANDING SUPPORT AND SUPERIOR SERVICES



PRODUCT SUPPORT

Central's operations team provides the highest level of support to insure product is delivered on-time.

- Supply management (Customer portals)
- Inventory bonding
- Consolidated shipping options
- Custom bar coding for shipments
- Custom product packing

DESIGNER SUPPORT/SERVICES

Central's applications engineering team is ready to discuss your design challenges. Just ask.

- Free quick ship samples (2nd day air)
- Online technical data and parametric search
- SPICE models
- Custom electrical curves
- Environmental regulation compliance
- Customer specific screening
- Up-screening capabilities
- Special wafer diffusions
- PbSn plating options
- Package details
- Application notes
- Application and design sample kits
- Custom product and package development

REQUESTING PRODUCT PLATING

1. If requesting Tin/Lead plated devices, add the suffix "TIN/LEAD" to the part number when ordering (example: 2N2222A TIN/LEAD).
2. If requesting Lead (Pb) Free plated devices, add the suffix "PBFREE" to the part number when ordering (example: 2N2222A PBFREE).

CONTACT US

Corporate Headquarters & Customer Support Team

Central Semiconductor Corp.
145 Adams Avenue
Hauppauge, NY 11788 USA
Main Tel: (631) 435-1110
Main Fax: (631) 435-1824
Support Team Fax: (631) 435-3388
www.centrasemi.com

Worldwide Field Representatives:
www.centrasemi.com/wwreps

Worldwide Distributors:
www.centrasemi.com/wwdistributors

For the latest version of Central Semiconductor's **LIMITATIONS AND DAMAGES DISCLAIMER**, which is part of Central's Standard Terms and Conditions of sale, visit: www.centrasemi.com/terms



Product End of Life Notification

PDN ID:	PDN01270
Notification Date:	5/30/24
Last Buy Date:	Stock Only
Last Shipment Date:	Stock Only

<https://www.centrasemi.com>

Please be advised that Central Semiconductor must immediately discontinue the product(s) listed in the attached PDN notice. Orders can only be accepted for products with available inventory on hand.

You may have purchased one or more of the products listed. Please do not hesitate to contact your local Central Semiconductor sales representative with any questions or needs you may have. Central regrets any inconvenience this may cause.

Sincerely,

Central Semiconductor, LLC

DISCLAIMER: This End of Life (EOL) notification is in accordance with JEDEC standard JESD48 - Product Discontinuance. Central Semiconductor will make every effort to offer life-time buy (LTB) opportunities and/or offer replacement devices to existing customers for discontinued devices, however, one or both may not be possible for all devices. Please contact your local Central Semiconductor sales representative for LTB opportunities/additional information.



https://www.centalsemi.com

Product End of Life Notification

PDN ID:	PDN01270
Notification Date:	5/30/24
Last Buy Date:	Stock Only
Last Shipment Date	Stock Only

Summary: All devices manufactured in the TO-202 and TO-202-2 packages are discontinued and now classified as End of Life (EOL).

Although Central Semiconductor makes every effort to continue to produce devices that have been proclaimed EOL (End of Life) by other manufacturers, it is an accepted industry practice to discontinue certain devices when customer demand falls below a minimum level of sustainability. Accordingly, the following product(s) have been transitioned to End of Life status as part of Central's ongoing Product Portfolio Management. Any replacement products are noted below. The effective date for placing last purchase orders will be six (6) months from the date of this notice and twelve (12) months from the notice date for final shipments, and minimum order quantities may apply. The last purchase and shipment dates may be extended if inventory is available.

*** All Plating types (PBFREE,TIN/LEAD) for each item listed are included in this notice.**

Central Part Number	Suggested Replacement
CEN-U01A	N/A
CEN-U02	N/A
CEN-U05	N/A
CEN-U05N	N/A
CEN-U06	N/A
CEN-U06N	N/A
CEN-U07	N/A
CEN-U07 MOD1	N/A
CEN-U07N	N/A
CEN-U10	N/A
CEN-U10N	N/A
CEN-U45	N/A
CEN-U45N	N/A
CEN-U51A	N/A
CEN-U52	N/A
CEN-U55	N/A
CEN-U55N	N/A
CEN-U56	N/A
CEN-U56N	N/A
CEN-U57	N/A
CEN-U57N	N/A
CEN-U60	N/A
CEN1314	N/A
CEN1319	N/A
CEN621	N/A
CEN928	N/A
CEN934	N/A
D40C1	N/A
D40C1N	N/A
D40C2	N/A
D40C4	N/A
D40C4N	N/A
D40C5	N/A
D40C7	N/A
D40C8	N/A

*** CONTINUED ***

DISCLAIMER: This End of Life (EOL) notification is in accordance with JEDEC standard JESD48 - Product Discontinuance. Central Semiconductor will make every effort to offer life-time buy (LTB) opportunities and/or offer replacement devices to existing customers for discontinued devices, however, one or both may not be possible for all devices. Please contact your local Central Semiconductor sales representative for LTB opportunities/additional information.



<https://www.centalsemi.com>

Product End of Life Notification

PDN ID:	PDN01270
Notification Date:	5/30/24
Last Buy Date:	Stock Only
Last Shipment Date	Stock Only

*** CONTINUED FROM PRIOR PAGE ***

* All Plating types (PBFREE,TIN/LEAD) for each item listed are included in this notice.

<u>Central Part Number</u>	<u>Suggested Replacement</u>
D40D1	N/A
D40D10	N/A
D40D11	N/A
D40D13	N/A
D40D2	N/A
D40D4	N/A
D40D5	N/A
D40D7	N/A
D40D8	N/A
D40E1	N/A
D40E5	N/A
D40E7	N/A
D40K1	N/A
D40K2	N/A
D40K3	N/A
D40K4	N/A
D41D1	N/A
D41D10	N/A
D41D11	N/A
D41D2	N/A
D41D4	N/A
D41D5	N/A
D41D5 MOD	N/A
D41D7	N/A
D41D8	N/A
D41E1	N/A
D41E5	N/A
D41E7	N/A
D41E7N	N/A
2N6548	N/A
2N6549	N/A
2N6551	N/A
2N6552	N/A
2N6553	N/A
2N6554	N/A
2N6554-N	N/A
2N6555	N/A
2N6556	N/A

Central would be happy to assist you by providing additional information or technical data to help locate an alternate source if we have no replacement available. If you would like assistance, please visit <https://my.centalsemi.com/submit-inquiry?type=ER> to submit an online inquiry.

DISCLAIMER: This End of Life (EOL) notification is in accordance with JEDEC standard JESD48 - Product Discontinuance. Central Semiconductor will make every effort to offer life-time buy (LTB) opportunities and/or offer replacement devices to existing customers for discontinued devices, however, one or both may not be possible for all devices. Please contact your local Central Semiconductor sales representative for LTB opportunities/additional information.