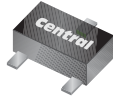


CMUDM8004

**SURFACE MOUNT
P-CHANNEL
ENHANCEMENT-MODE
SILICON MOSFET**

ULTRAmi™



SOT-523 CASE

• Devices are **Halogen Free** by design

APPLICATIONS:

- Load/Power Switches
- Power Supply Converter Circuits
- Battery Powered Portable Devices

MAXIMUM RATING: (T_A=25°C)

Drain-Source Voltage	
Gate-Source Voltage	
Continuous Drain Current	
Power Dissipation	
Operating and Storage Junction Temperature	



www.centralsemi.com

DESCRIPTION:

The CENTRAL SEMICONDUCTOR CMUDM8004 is an Enhancement-mode P-Channel MOSFET, manufactured by the P-Channel DMOS Process, designed for high speed pulsed amplifier and driver applications. This MOSFET offers Low r_{DS(on)} and Low Theshold Voltage.

MARKING CODE: 84C

FEATURES:

- ESD Protection up to 2kV
- Low r_{DS(on)}
- Low Threshold Voltage
- Logic Level Compatible
- Small, SOT-523 Surface Mount Package
- Complimentary N-Channel MOSFET: CMUDM7004

SYMBOL		UNITS
V _{DS}	30	V
V _{GS}	8.0	V
I _D	450	mA
P _D	250	mW
T _J , T _{stg}	-65 to +150	°C

ELECTRICAL CHARACTERISTICS: (T_A=25°C unless otherwise noted)

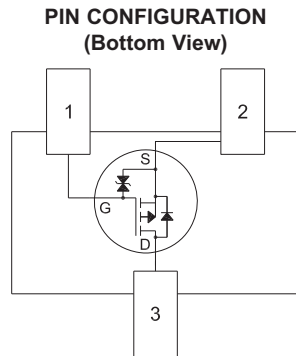
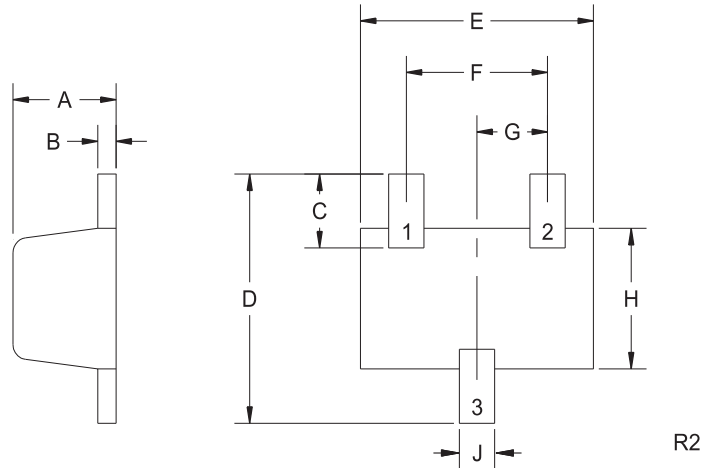
SYMBOL	TEST CONDITIONS	MIN	TYP	MAX	UNITS
I _{GSSF} , I _{GSSR}	V _{GS} =8.0V, V _{DS} =0			3.0	µA
I _{DSS}	V _{DS} =30V, V _{GS} =0			1.0	µA
BV _{DSS}	V _{GS} =0, I _D =100µA	30			V
V _{GS(th)}	V _{DS} =V _{GS} , I _D =250µA	0.5		1.0	V
V _{SD}	V _{GS} =0, I _S =100mA			1.1	V
r _{DS(ON)}	V _{GS} =4.5V, I _D =430mA		1.0	1.1	Ω
r _{DS(ON)}	V _{GS} =2.5V, I _D =200mA		1.5	2.0	Ω
r _{DS(ON)}	V _{GS} =1.8V, I _D =100mA		2.6	3.3	Ω
Q _{g(tot)}	V _{DS} =10V, V _{GS} =4.5V, I _D =1.0A		0.88		nC
Q _{gs}	V _{DS} =10V, V _{GS} =4.5V, I _D =1.0A		0.35		nC
Q _{gd}	V _{DS} =10V, V _{GS} =4.5V, I _D =1.0A		0.128		nC
g _{FS}	V _{DS} =10V, I _D =100mA	200			mS
C _{rss}	V _{DS} =25V, V _{GS} =0, f=1.0MHz		8.0	10	pF
C _{iss}	V _{DS} =25V, V _{GS} =0, f=1.0MHz		45	55	pF
C _{oss}	V _{DS} =25V, V _{GS} =0, f=1.0MHz		9.0	15	pF

R3 (2-August 2011)

CMUDM8004
 SURFACE MOUNT
 P-CHANNEL
 ENHANCEMENT-MODE
 SILICON MOSFET



SOT-523 CASE - MECHANICAL OUTLINE



SYMBOL	INCHES		MILLIMETERS	
	MIN	MAX	MIN	MAX
A	0.023	0.031	0.58	0.78
B	0.002	0.008	0.04	0.20
C	0.013	0.021	0.34	0.54
D	0.059	0.067	1.50	1.70
E	0.059	0.067	1.50	1.70
F	0.035	0.043	0.90	1.10
G	0.020		0.50	
H	0.031	0.039	0.78	0.98
J	0.010	0.014	0.25	0.35

SOT-523 (REV: R2)

LEAD CODE:

- 1) Gate
- 2) Source
- 3) Drain

MARKING CODE: 84C

R3 (2-August 2011)

OUTSTANDING SUPPORT AND SUPERIOR SERVICES



PRODUCT SUPPORT

Central's operations team provides the highest level of support to insure product is delivered on-time.

- Supply management (Customer portals)
- Inventory bonding
- Consolidated shipping options
- Custom bar coding for shipments
- Custom product packing

DESIGNER SUPPORT/SERVICES

Central's applications engineering team is ready to discuss your design challenges. Just ask.

- Free quick ship samples (2nd day air)
- Online technical data and parametric search
- SPICE models
- Custom electrical curves
- Environmental regulation compliance
- Customer specific screening
- Up-screening capabilities
- Special wafer diffusions
- PbSn plating options
- Package details
- Application notes
- Application and design sample kits
- Custom product and package development

REQUESTING PRODUCT PLATING

1. If requesting Tin/Lead plated devices, add the suffix "TIN/LEAD" to the part number when ordering (example: 2N2222A TIN/LEAD).
2. If requesting Lead (Pb) Free plated devices, add the suffix "PBFREE" to the part number when ordering (example: 2N2222A PBFREE).

CONTACT US

Corporate Headquarters & Customer Support Team

Central Semiconductor Corp.
145 Adams Avenue
Hauppauge, NY 11788 USA
Main Tel: (631) 435-1110
Main Fax: (631) 435-1824
Support Team Fax: (631) 435-3388
www.centrasemi.com

Worldwide Field Representatives:
www.centrasemi.com/wwreps

Worldwide Distributors:
www.centrasemi.com/wwdistributors

For the latest version of Central Semiconductor's **LIMITATIONS AND DAMAGES DISCLAIMER**, which is part of Central's Standard Terms and Conditions of sale, visit: www.centrasemi.com/terms