

**CMXTC935A**  
**SURFACE MOUNT**  
**TEMPERATURE COMPENSATED**  
**SILICON ZENER DIODE**  
**±5% TOLERANCE**



[www.centrasemi.com](http://www.centrasemi.com)

**DESCRIPTION:**

The CENTRAL SEMICONDUCTOR CMXTC935A is a 9.0 Volt, temperature compensated Zener reference diode. This device is ideal for applications requiring long term voltage stability over the specified temperature range.

**For proper device operation, external connections must be made on the PCB. See the suggested mounting pad drawing on the following page.**

**MARKING CODE: C935**

**MAXIMUM RATINGS:** ( $T_A=25^\circ\text{C}$ )

Power Dissipation  
 Operating and Storage Junction Temperature

SYMBOL	UNITS	
$P_D$	350	mW
$T_J, T_{stg}$	-65 to +150	$^\circ\text{C}$

**ELECTRICAL CHARACTERISTICS:** ( $T_A=25^\circ\text{C}$  unless otherwise noted)

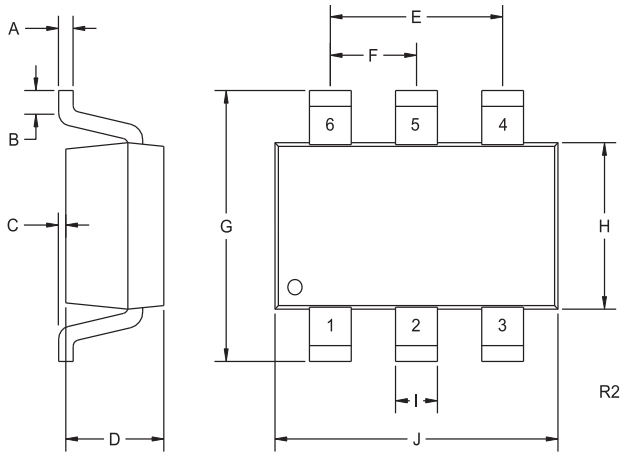
SYMBOL	TEST CONDITIONS	MIN	NOM	MAX	UNITS
$V_Z$	$I_Z=7.5\text{mA}$	8.55	9.0	9.45	V
$Z_Z$	$I_Z=7.5\text{mA}$			30	$\Omega$
$\Delta V_Z^*$	$I_Z=7.5\text{mA}$			95	mV

\* The Maximum allowable voltage change observed at the specified temperatures of -55 $^\circ\text{C}$ , 0 $^\circ\text{C}$ , 25 $^\circ\text{C}$ , 75 $^\circ\text{C}$ , and 100 $^\circ\text{C}$ .

**CMXTC935A**  
**SURFACE MOUNT**  
**TEMPERATURE COMPENSATED**  
**SILICON ZENER DIODE**  
**±5% TOLERANCE**



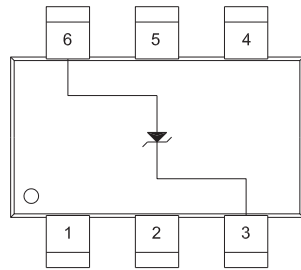
**SOT 26 CASE - MECHANICAL OUTLINE**



SYMBOL	DIMENSIONS			
	INCHES		MILLIMETERS	
	MIN	MAX	MIN	MAX
A	0.004	0.007	0.11	0.19
B	0.016	-	0.40	-
C	-	0.004	-	0.10
D	0.039	0.047	1.00	1.20
E	0.074	0.075	1.88	1.92
F	0.037	0.038	0.93	0.97
G	0.102	0.118	2.60	3.00
H	0.059	0.067	1.50	1.70
I	0.016		0.41	
J	0.110	0.118	2.80	3.00

SOT-26 (REV: R2)

**PIN CONFIGURATION**

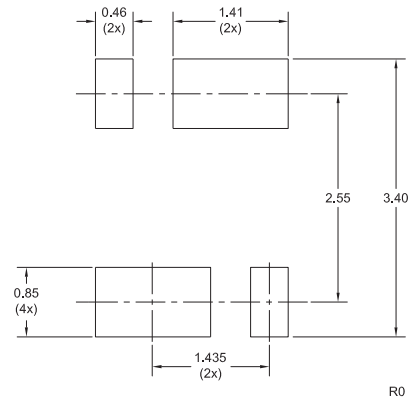


**LEAD CODE:**

- 1) Connect To Pin 2
- 2) Connect To Pin 1
- 3) Cathode
- 4) Connect To Pin 5
- 5) Connect To Pin 4
- 6) Anode

**MARKING CODE: C935**

**SUGGESTED MOUNTING PADS**  
(Dimensions in mm)



R1 (12-February 2010)

## OUTSTANDING SUPPORT AND SUPERIOR SERVICES



---

### PRODUCT SUPPORT

Central's operations team provides the highest level of support to insure product is delivered on-time.

- Supply management (Customer portals)
- Inventory bonding
- Consolidated shipping options
- Custom bar coding for shipments
- Custom product packing

---

### DESIGNER SUPPORT/SERVICES

Central's applications engineering team is ready to discuss your design challenges. Just ask.

- Free quick ship samples (2<sup>nd</sup> day air)
- Online technical data and parametric search
- SPICE models
- Custom electrical curves
- Environmental regulation compliance
- Customer specific screening
- Up-screening capabilities
- Special wafer diffusions
- PbSn plating options
- Package details
- Application notes
- Application and design sample kits
- Custom product and package development

---

### REQUESTING PRODUCT PLATING

1. If requesting Tin/Lead plated devices, add the suffix "TIN/LEAD" to the part number when ordering (example: 2N2222A TIN/LEAD).
2. If requesting Lead (Pb) Free plated devices, add the suffix "PBFREE" to the part number when ordering (example: 2N2222A PBFREE).

---

### CONTACT US

#### Corporate Headquarters & Customer Support Team

Central Semiconductor Corp.  
145 Adams Avenue  
Hauppauge, NY 11788 USA  
Main Tel: (631) 435-1110  
Main Fax: (631) 435-1824  
Support Team Fax: (631) 435-3388  
[www.centrasemi.com](http://www.centrasemi.com)

**Worldwide Field Representatives:**  
[www.centrasemi.com/wwreps](http://www.centrasemi.com/wwreps)

**Worldwide Distributors:**  
[www.centrasemi.com/wwdistributors](http://www.centrasemi.com/wwdistributors)

---

For the latest version of Central Semiconductor's **LIMITATIONS AND DAMAGES DISCLAIMER**, which is part of Central's Standard Terms and Conditions of sale, visit: [www.centrasemi.com/terms](http://www.centrasemi.com/terms)