

CTLSH5-40M833S

SURFACE MOUNT SILICON
LOW V_F
SCHOTTKY RECTIFIER

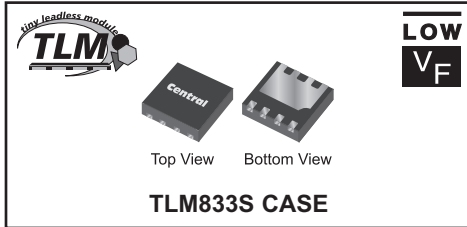


www.centrasemi.com

DESCRIPTION:

The CENTRAL SEMICONDUCTOR CTLSH5-40M833S is a high performance 5.0 amp silicon Schottky rectifier designed for applications where small size and operational efficiency are prime requirements. With a maximum power dissipation of 4.5W, this leadless package design has a watts per unit area at least twice that of equivalent packaged devices.

MARKING CODE: CHA2S



FEATURES:

- High current ($I_F=5.0A$)
- High thermal efficiency
- Low leakage/Low V_F
- 3 x 3mm TLM™ case

MAXIMUM RATINGS: ($T_A=25^\circ C$)

	SYMBOL		UNITS
Continuous Reverse Voltage	V_R	40	V
Average Forward Current	I_O	5.0	A
Peak Forward Surge Current ($t_p=8.3ms$)	I_{FSM}	50	A
Power Dissipation (Note 1)	P_D	4.5	W
Power Dissipation (Note 2)	P_D	4.0	W
Power Dissipation (Note 3)	P_D	2.5	W
Operating and Storage Junction Temperature	T_J, T_{stg}	-65 to +150	$^\circ C$
Thermal Resistance (Note 1)	θ_{JA}	27.78	$^\circ C/W$
Thermal Resistance (Note 2)	θ_{JA}	31.25	$^\circ C/W$
Thermal Resistance (Note 3)	θ_{JA}	50	$^\circ C/W$

ELECTRICAL CHARACTERISTICS: ($T_A=25^\circ C$ unless otherwise noted)

SYMBOL	TEST CONDITIONS	MIN	TYP	MAX	UNITS
I_R	$V_R=20V$		15	150	μA
I_R	$V_R=40V$		25	200	μA
BV_R	$I_R=0.4mA$	40			V
V_F	$I_F=1.0A$		0.35		V
V_F	$I_F=2.0A$		0.41		V
V_F	$I_F=3.0A$		0.45		V
V_F	$I_F=4.0A$		0.48		V
V_F	$I_F=5.0A$		0.49	0.52	V
C_J	$V_R=4.0V, f=1.0MHz$		220		pF
t_{rr}	$I_F=I_R=10mA, I_{rr}=1.0mA, R_L=100\Omega$		80		ns

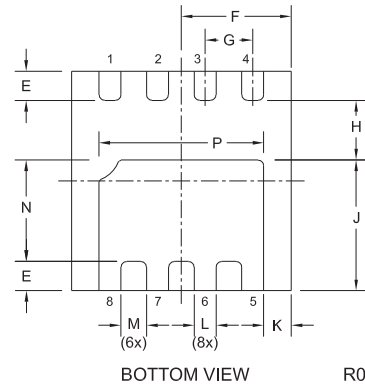
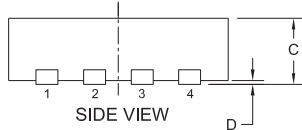
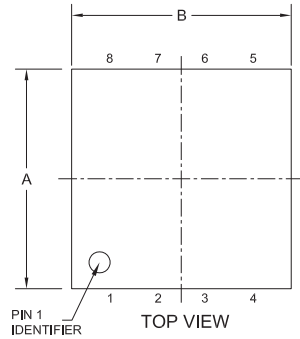
- Notes: (1) Ceramic or aluminum core PC Board with copper mounting pad area of 75 mm²
 (2) FR-4 Epoxy PC Board with copper mounting pad area of 75 mm²
 (3) FR-4 Epoxy PC Board with copper mounting pad area of 25 mm²

R1 (30-September 2015)

CTLSH5-40M833S
SURFACE MOUNT SILICON
LOW V_F
SCHOTTKY RECTIFIER



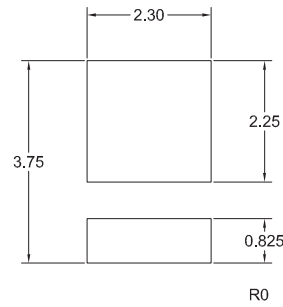
TLM833S CASE - MECHANICAL OUTLINE



SYMBOL	INCHES		MILLIMETERS	
	MIN	MAX	MIN	MAX
A	0.112	0.124	2.85	3.15
B	0.112	0.124	2.85	3.15
C	0.031	0.039	0.80	1.00
D	0.000	0.002	0.00	0.05
E	0.012	0.020	0.30	0.50
F	0.056	0.062	1.43	1.57
G	0.026		0.65	
H	0.030	0.033	0.75	0.85
J	0.065	0.073	1.65	1.85
K	0.012	0.016	0.30	0.40
L	0.010	0.014	0.25	0.35
M	0.012	0.016	0.30	0.40
N	0.047	0.057	1.20	1.45
P	0.081	0.091	2.07	2.32

TLM833S (REV:R0)

SUGGESTED MOUNTING PADS
(Dimensions in mm)



LEAD CODE:

- 1) Anode
- 2) Anode
- 3) Anode
- 4) Anode
- 5) Cathode
- 6) Cathode
- 7) Cathode
- 8) Cathode

MARKING CODE: CHA2S

For standard mounting see
TLM833S package details

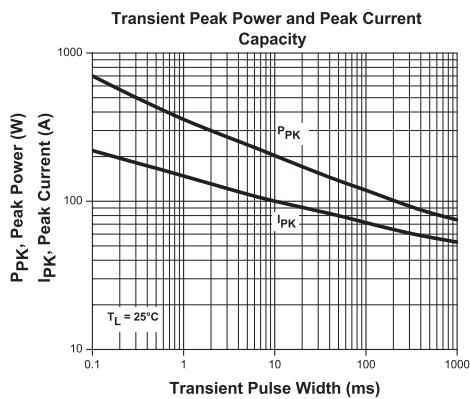
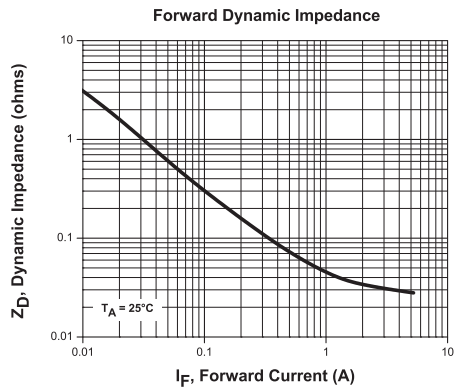
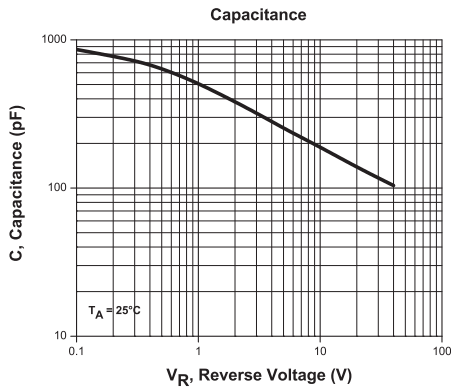
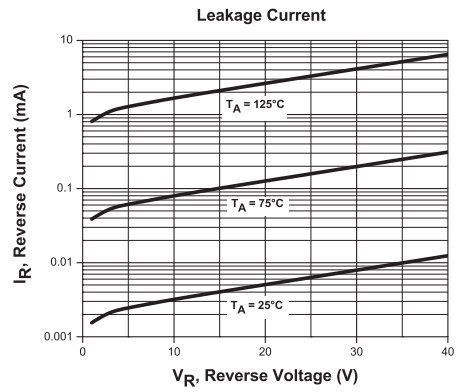
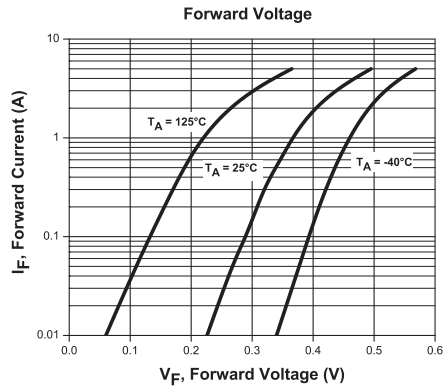
R1 (30-September 2015)

CTLSH5-40M833S

SURFACE MOUNT SILICON
LOW V_F
SCHOTTKY RECTIFIER



TYPICAL ELECTRICAL CHARACTERISTICS



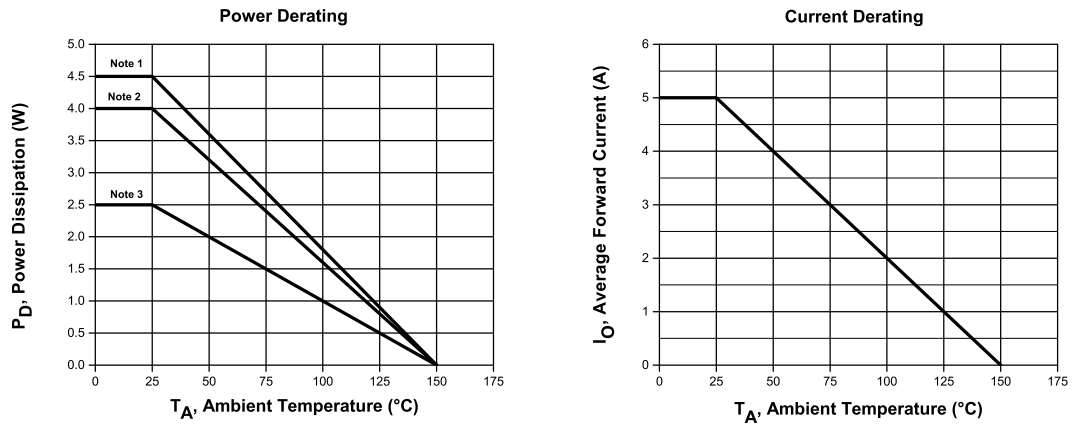
R1 (30-September 2015)

CTLSH5-40M833S

SURFACE MOUNT SILICON
LOW V_F
SCHOTTKY RECTIFIER



TYPICAL ELECTRICAL CHARACTERISTICS



- Notes: (1) Ceramic or aluminum core PC Board with copper mounting pad area of 75 mm²
(2) FR-4 Epoxy PC Board with copper mounting pad area of 75 mm²
(3) FR-4 Epoxy PC Board with copper mounting pad area of 25 mm²

R1 (30-September 2015)

OUTSTANDING SUPPORT AND SUPERIOR SERVICES



PRODUCT SUPPORT

Central's operations team provides the highest level of support to insure product is delivered on-time.

- Supply management (Customer portals)
- Inventory bonding
- Consolidated shipping options
- Custom bar coding for shipments
- Custom product packing

DESIGNER SUPPORT/SERVICES

Central's applications engineering team is ready to discuss your design challenges. Just ask.

- Free quick ship samples (2nd day air)
- Online technical data and parametric search
- SPICE models
- Custom electrical curves
- Environmental regulation compliance
- Customer specific screening
- Up-screening capabilities
- Special wafer diffusions
- PbSn plating options
- Package details
- Application notes
- Application and design sample kits
- Custom product and package development

REQUESTING PRODUCT PLATING

1. If requesting Tin/Lead plated devices, add the suffix "TIN/LEAD" to the part number when ordering (example: 2N2222A TIN/LEAD).
2. If requesting Lead (Pb) Free plated devices, add the suffix "PBFREE" to the part number when ordering (example: 2N2222A PBFREE).

CONTACT US

Corporate Headquarters & Customer Support Team

Central Semiconductor Corp.
145 Adams Avenue
Hauppauge, NY 11788 USA
Main Tel: (631) 435-1110
Main Fax: (631) 435-1824
Support Team Fax: (631) 435-3388
www.centrasemi.com

Worldwide Field Representatives:
www.centrasemi.com/wwreps

Worldwide Distributors:
www.centrasemi.com/wwdistributors

For the latest version of Central Semiconductor's **LIMITATIONS AND DAMAGES DISCLAIMER**, which is part of Central's Standard Terms and Conditions of sale, visit: www.centrasemi.com/terms