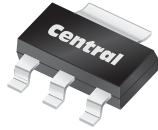


CZS5064

**SURFACE MOUNT  
SILICON CONTROLLED RECTIFIER**



**SOT-223 CASE**



[www.centrasemi.com](http://www.centrasemi.com)

**DESCRIPTION:**

The CENTRAL SEMICONDUCTOR CZS5064 is an epoxy molded PNP Silicon Controlled Rectifier manufactured in an epoxy molded surface mount package, designed for control systems and sensing circuit applications.

**MARKING: FULL PART NUMBER**

**MAXIMUM RATINGS:** ( $T_A=25^\circ\text{C}$  unless otherwise noted)

	<b>SYMBOL</b>		<b>UNITS</b>
Peak Repetitive Off-State Voltage	$V_{DRM}$	400	V
Peak Repetitive Reverse Voltage	$V_{RRM}$	400	V
RMS On-State Current	$I_T(\text{RMS})$	0.8	A
Average On-State Current ( $T_C=67^\circ\text{C}$ )	$I_T(\text{AV})$	0.51	A
Operating Junction Temperature	$T_J$	-40 to +125	$^\circ\text{C}$
Storage Temperature	$T_{stg}$	-40 to +150	$^\circ\text{C}$
Thermal Resistance	$\theta_{JA}$	150	$^\circ\text{C}/\text{W}$
Thermal Resistance	$\theta_{JC}$	25	$^\circ\text{C}/\text{W}$

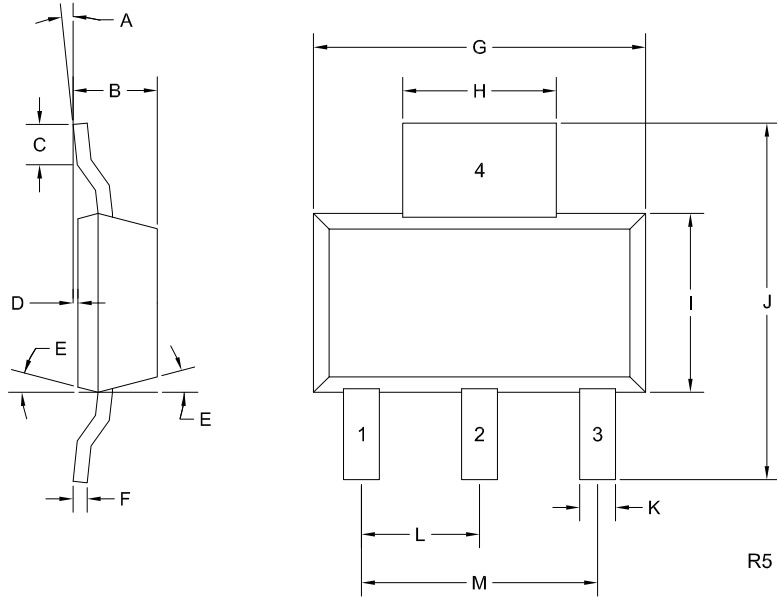
**ELECTRICAL CHARACTERISTICS:** ( $T_A=25^\circ\text{C}$  unless otherwise noted)

<b>SYMBOL</b>	<b>TEST CONDITIONS</b>	<b>MIN</b>	<b>TYP</b>	<b>MAX</b>	<b>UNITS</b>
$I_{DRM}$	$V_D=400\text{V}, R_{GK}=1.0\text{K}\Omega, T_C=125^\circ\text{C}$			50	$\mu\text{A}$
$I_{RRM}$	$V_D=400\text{V}, R_{GK}=1.0\text{K}\Omega, T_C=125^\circ\text{C}$			50	$\mu\text{A}$
$V_T$	$I_T=1.2\text{A}$			1.7	V
$I_{GT}$	$V_D=7.0\text{V}, R_L=100\Omega, R_{GK}=1.0\text{K}\Omega$			200	$\mu\text{A}$
$V_{GT}$	$V_D=7.0\text{V}, R_L=100\Omega, R_{GK}=1.0\text{K}\Omega$			0.8	V
$V_{GD}$	$V_D=400\text{V}, R_L=100\Omega, T_C=125^\circ\text{C}$	0.1			V
$I_H$	$V_D=7.0, R_{GK}=1.0\text{K}\Omega$			5.0	mA
$t_{ON}$	$V_D=400\text{V}, I_{GT}=1.0\text{mA}, I_F=1.0\text{A}, R_{GK}=1\text{K}\Omega, di/dt=6.0\text{A}/\mu\text{s}$		2.8		$\mu\text{s}$

**CZS5064**  
**SURFACE MOUNT**  
**SILICON CONTROLLED RECTIFIER**



**SOT-223 CASE - MECHANICAL OUTLINE**



**LEAD CODE:**

- 1) Cathode
- 2) Anode
- 3) Gate
- 4) Anode

**MARKING: FULL PART NUMBER**

SYMBOL	INCHES		MILLIMETERS	
	MIN	MAX	MIN	MAX
A	0°	10°	0°	10°
B	0.059	0.071	1.50	1.80
C	0.018	---	0.45	---
D	0.000	0.004	0.00	0.10
E	10°		10°	
F	0.009	0.014	0.23	0.35
G	0.248	0.270	6.30	6.85
H	0.114	0.122	2.90	3.10
I	0.130	0.146	3.30	3.70
J	0.264	0.287	6.70	7.30
K	0.024	0.033	0.60	0.85
L	0.091		2.30	
M	0.181		4.60	

SOT-223 (REV: R5)

R6 (7-May 2019)

## OUTSTANDING SUPPORT AND SUPERIOR SERVICES



---

### PRODUCT SUPPORT

Central's operations team provides the highest level of support to insure product is delivered on-time.

- Supply management (Customer portals)
- Inventory bonding
- Consolidated shipping options
- Custom bar coding for shipments
- Custom product packing

---

### DESIGNER SUPPORT/SERVICES

Central's applications engineering team is ready to discuss your design challenges. Just ask.

- Free quick ship samples (2<sup>nd</sup> day air)
- Online technical data and parametric search
- SPICE models
- Custom electrical curves
- Environmental regulation compliance
- Customer specific screening
- Up-screening capabilities
- Special wafer diffusions
- PbSn plating options
- Package details
- Application notes
- Application and design sample kits
- Custom product and package development

---

### REQUESTING PRODUCT PLATING

1. If requesting Tin/Lead plated devices, add the suffix "TIN/LEAD" to the part number when ordering (example: 2N2222A TIN/LEAD).
2. If requesting Lead (Pb) Free plated devices, add the suffix "PBFREE" to the part number when ordering (example: 2N2222A PBFREE).

---

### CONTACT US

#### Corporate Headquarters & Customer Support Team

Central Semiconductor Corp.  
145 Adams Avenue  
Hauppauge, NY 11788 USA  
Main Tel: (631) 435-1110  
Main Fax: (631) 435-1824  
Support Team Fax: (631) 435-3388  
[www.centrasemi.com](http://www.centrasemi.com)

**Worldwide Field Representatives:**  
[www.centrasemi.com/wwreps](http://www.centrasemi.com/wwreps)

**Worldwide Distributors:**  
[www.centrasemi.com/wwdistributors](http://www.centrasemi.com/wwdistributors)

---

For the latest version of Central Semiconductor's **LIMITATIONS AND DAMAGES DISCLAIMER**, which is part of Central's Standard Terms and Conditions of sale, visit: [www.centrasemi.com/terms](http://www.centrasemi.com/terms)