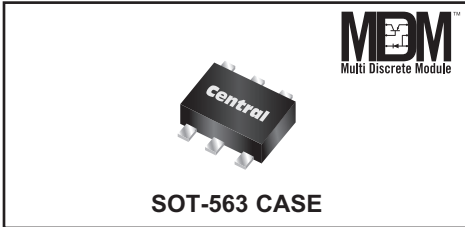


**CMLM7405**  
**MULTI DISCRETE MODULE™**  
 SURFACE MOUNT SILICON  
 HIGH CURRENT  
 LOW  $V_{CE(SAT)}$  PNP TRANSISTOR AND  
 LOW  $V_F$  SCHOTTKY DIODE



[www.centrasemi.com](http://www.centrasemi.com)



**DESCRIPTION:**

The CENTRAL SEMICONDUCTOR CMLM7405 is a single PNP transistor and Schottky diode packaged in a space saving SOT-563 case is designed for small signal general purpose applications where size and operational efficiency are prime requirements.

- Complementary Device: **CMLM3405**
- Combination High Current Low  $V_{CE(SAT)}$  Transistor and Low  $V_F$  Schottky Diode.

**MARKING CODE: C57**

**MAXIMUM RATINGS - Case:** ( $T_A=25^\circ\text{C}$ )

Power Dissipation  
 Operating and Storage Junction Temperature  
 Thermal Resistance

SYMBOL		UNITS
$P_D$	350	mW
$T_J, T_{stg}$	-65 to +150	$^\circ\text{C}$
$\theta_{JA}$	357	$^\circ\text{C/W}$

**MAXIMUM RATINGS - Q1:** ( $T_A=25^\circ\text{C}$ )

Collector-Base Voltage  
 Collector-Emitter Voltage  
 Emitter-Base Voltage  
 Continuous Collector Current  
 Peak Collector Current

SYMBOL		UNITS
$V_{CBO}$	40	V
$V_{CEO}$	25	V
$V_{EBO}$	6.0	V
$I_C$	1.0	A
$I_{CM}$	1.5	A

**MAXIMUM RATINGS - D1:** ( $T_A=25^\circ\text{C}$ )

Peak Repetitive Reverse Voltage  
 Continuous Forward Current  
 Peak Repetitive Forward Current,  $t_p \leq 1.0\text{ms}$   
 Peak Forward Surge Current,  $t_p = 8.0\text{ms}$

SYMBOL		UNITS
$V_{RRM}$	40	V
$I_F$	500	mA
$I_{FRM}$	3.5	A
$I_{FSM}$	10	A

**ELECTRICAL CHARACTERISTICS - Q1:** ( $T_A=25^\circ\text{C}$  unless otherwise noted)

SYMBOL	TEST CONDITIONS	MIN	TYP	MAX	UNITS
$I_{CBO}$	$V_{CB}=40\text{V}$			100	nA
$I_{EBO}$	$V_{EB}=6.0\text{V}$			100	nA
$BV_{CBO}$	$I_C=100\mu\text{A}$	40			V
$BV_{CEO}$	$I_C=10\text{mA}$	25			V
$BV_{EBO}$	$I_E=100\mu\text{A}$	6.0			V
$V_{CE(SAT)}$	$I_C=50\text{mA}, I_B=5.0\text{mA}$		25	50	mV
$V_{CE(SAT)}$	$I_C=100\text{mA}, I_B=10\text{mA}$		40	75	mV
$V_{CE(SAT)}$	$I_C=200\text{mA}, I_B=20\text{mA}$		80	150	mV
$V_{CE(SAT)}$	$I_C=500\text{mA}, I_B=50\text{mA}$		150	250	mV
$V_{CE(SAT)}$	$I_C=800\text{mA}, I_B=80\text{mA}$		220	400	mV
$V_{CE(SAT)}$	$I_C=1.0\text{A}, I_B=100\text{mA}$		275	450	mV
$V_{BE(SAT)}$	$I_C=800\text{mA}, I_B=80\text{mA}$			1.1	V
$V_{BE(ON)}$	$V_{CE}=1.0\text{V}, I_C=10\text{mA}$			0.9	V

R3 (1-July 2015)

**CMLM7405**  
**MULTI DISCRETE MODULE™**  
 SURFACE MOUNT SILICON  
 HIGH CURRENT  
 LOW  $V_{CE(SAT)}$  PNP TRANSISTOR AND  
 LOW  $V_F$  SCHOTTKY DIODE



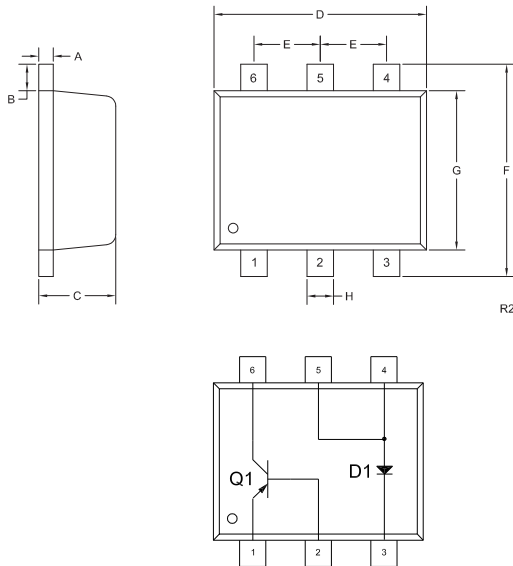
**ELECTRICAL CHARACTERISTICS - Q1 - Continued:**

SYMBOL	TEST CONDITIONS	MIN	MAX	UNITS
$h_{FE}$	$V_{CE}=1.0V, I_C=10mA$	100		
$h_{FE}$	$V_{CE}=1.0V, I_C=100mA$	100	300	
$h_{FE}$	$V_{CE}=1.0V, I_C=500mA$	100		
$h_{FE}$	$V_{CE}=1.0V, I_C=1.0A$	50		
$f_T$	$V_{CE}=10V, I_C=50mA, f=100MHz$	100		MHz
$C_{ob}$	$V_{CB}=10V, I_E=0, f=1.0MHz$		15	pF

**ELECTRICAL CHARACTERISTICS - D1: ( $T_A=25^\circ C$ )**

$I_R$	$V_R=10V$		20	$\mu A$
$I_R$	$V_R=30V$		100	$\mu A$
$BV_R$	$I_R=500\mu A$	40		V
$V_F$	$I_F=100\mu A$		0.13	V
$V_F$	$I_F=1.0mA$		0.21	V
$V_F$	$I_F=10mA$		0.27	V
$V_F$	$I_F=100mA$		0.35	V
$V_F$	$I_F=500mA$		0.47	V
$C_J$	$V_R=1.0V, f=1.0MHz$		50	pF

**SOT-563 CASE - MECHANICAL OUTLINE**



SYMBOL	DIMENSIONS		MILLIMETERS	
	INCHES		MIN	MAX
A	0.0027	0.007	0.07	0.18
B	0.008		0.20	
C	0.017	0.024	0.45	0.60
D	0.059	0.067	1.50	1.70
E	0.020		0.50	
F	0.059	0.067	1.50	1.70
G	0.043	0.051	1.10	1.30
H	0.006	0.012	0.15	0.30

SOT-563 (REV: R2)

**LEAD CODE:**

- 1) Emitter Q1
- 2) Base Q1
- 3) Cathode D1
- 4) Anode D1
- 5) Anode D1
- 6) Collector Q1

**MARKING CODE: C57**

R3 (1-July 2015)

## OUTSTANDING SUPPORT AND SUPERIOR SERVICES



---

### PRODUCT SUPPORT

Central's operations team provides the highest level of support to insure product is delivered on-time.

- Supply management (Customer portals)
- Inventory bonding
- Consolidated shipping options
- Custom bar coding for shipments
- Custom product packing

---

### DESIGNER SUPPORT/SERVICES

Central's applications engineering team is ready to discuss your design challenges. Just ask.

- Free quick ship samples (2<sup>nd</sup> day air)
- Online technical data and parametric search
- SPICE models
- Custom electrical curves
- Environmental regulation compliance
- Customer specific screening
- Up-screening capabilities
- Special wafer diffusions
- PbSn plating options
- Package details
- Application notes
- Application and design sample kits
- Custom product and package development

---

### REQUESTING PRODUCT PLATING

1. If requesting Tin/Lead plated devices, add the suffix " TIN/LEAD" to the part number when ordering (example: 2N2222A TIN/LEAD).
2. If requesting Lead (Pb) Free plated devices, add the suffix " PBFREE" to the part number when ordering (example: 2N2222A PBFREE).

---

### CONTACT US

#### Corporate Headquarters & Customer Support Team

Central Semiconductor Corp.  
145 Adams Avenue  
Hauppauge, NY 11788 USA  
Main Tel: (631) 435-1110  
Main Fax: (631) 435-1824  
Support Team Fax: (631) 435-3388  
[www.centrasemi.com](http://www.centrasemi.com)

**Worldwide Field Representatives:**  
[www.centrasemi.com/wwreps](http://www.centrasemi.com/wwreps)

**Worldwide Distributors:**  
[www.centrasemi.com/wwdistributors](http://www.centrasemi.com/wwdistributors)

---

For the latest version of Central Semiconductor's **LIMITATIONS AND DAMAGES DISCLAIMER**, which is part of Central's Standard Terms and Conditions of sale, visit: [www.centrasemi.com/terms](http://www.centrasemi.com/terms)